

# RER3-600

RER3-600,  
Maxium payload 3 kg with maxium reach 593 mm.

## Highlights

Thanks to its compact structure and built-in cable design, the RER3-600 can be easily integrated and installed, helping customers overcome harsh space installation requirements; RER3-600 also has a customized disassembly version for education programs, which can meet the education requirements with intelligent manufacturing focus.

## Applications

It can be used in handling operations, sorting, assembling, etc.

## Industries

Suitable for 3C, food and beverage, metal parts, education, plastic, pharmaceutical and other industries.

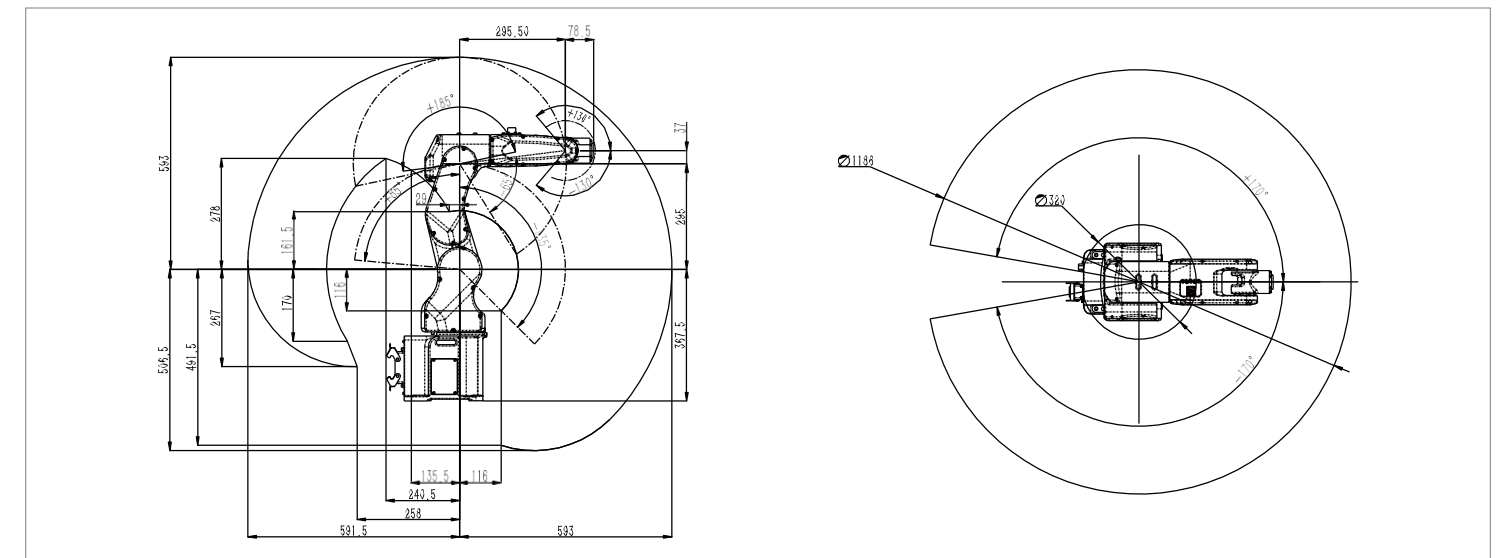


## SPECIFICATIONS

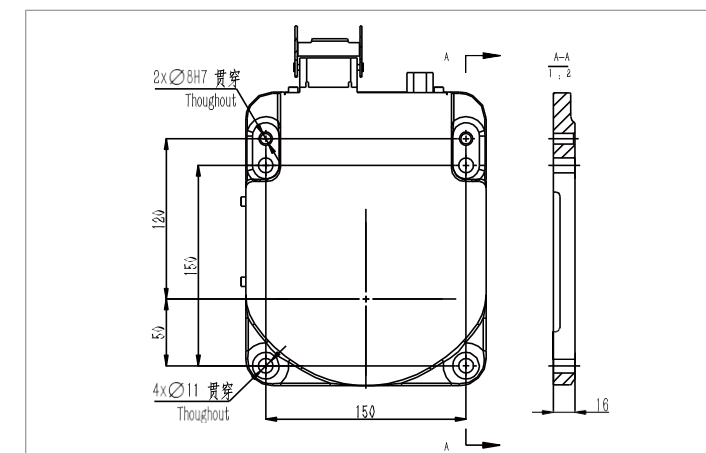
Model	RER3-600	
Type	Articulated	
Controlled axes	6 Axes	
Max. payload on wrist	3 kg	
Repeatability	±0.02 mm	
Robot weight	27 kg	
Reach	593 mm	
Robot IP grade	IP40	
Cabinet IP grade	IP20	
Drive mode	A C servo drive	
Installation	Floor, Upside-down, Wall, Angle	
Installation enviroment	Ambient temperature	0~45 °C
	Ambient humidity	RH≤80% (No dew nor frost allowed)
	Vibration acceleration	4.9 m/s <sup>2</sup> (<0.5 G)

Allowable load moment at wrist	J 4	4.45 N·m
	J 5	4.45 N·m
	J 6	2.2 N·m
Allowable load inertia at wrist	J 4	0.27 kg·m <sup>2</sup>
	J 5	0.27 kg·m <sup>2</sup>
	J 6	0.03 kg·m <sup>2</sup>
Maximum speed	J 1	400°/sec
	J 2	300°/sec
	J 3	520°/sec
	J 4	500°/sec
	J 5	530°/sec
	J 6	840°/sec
Motion range	J 1	±170°
	J 2	+85°/-135°
	J 3	+185°/-65°
	J 4	±190°
	J 5	±130°
	J 6	±360°

## OPERATING SPACE



## BASE MOUNTING SIZE



## END FLANGE MOUNTING SIZE

